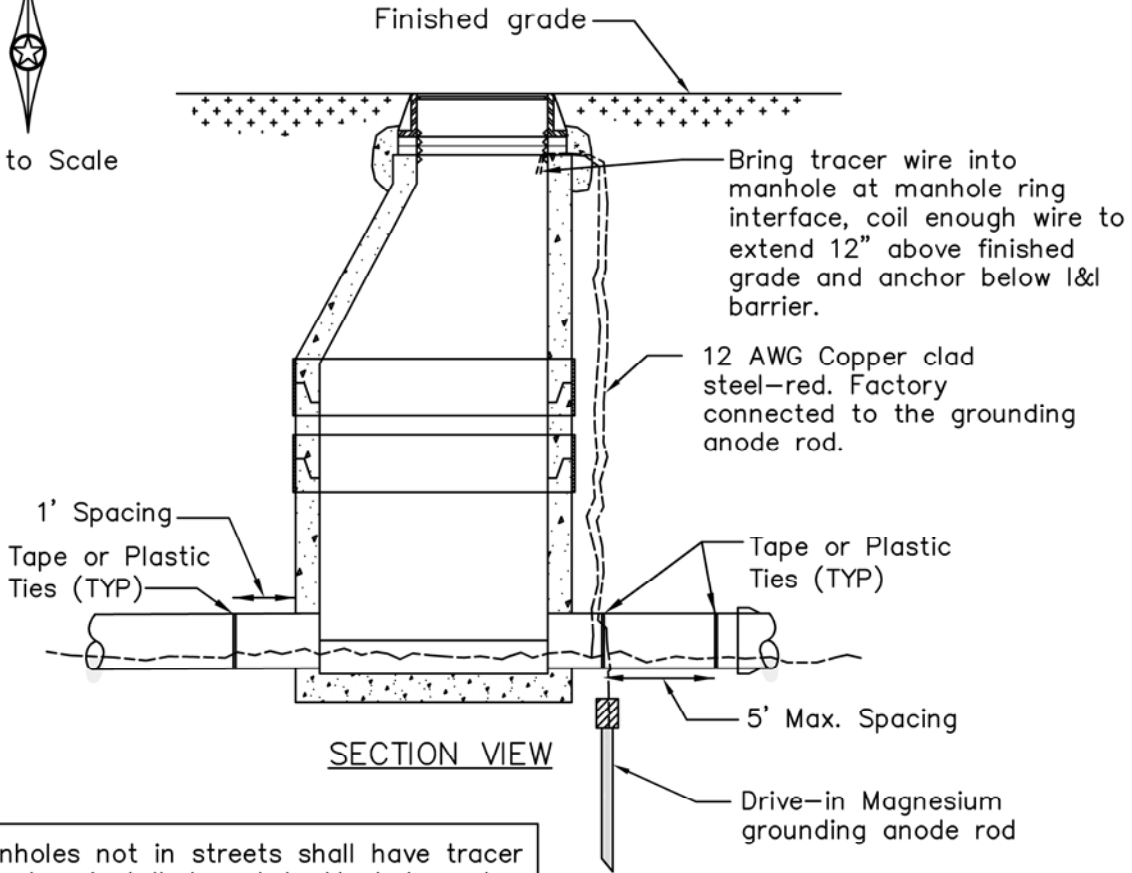


N



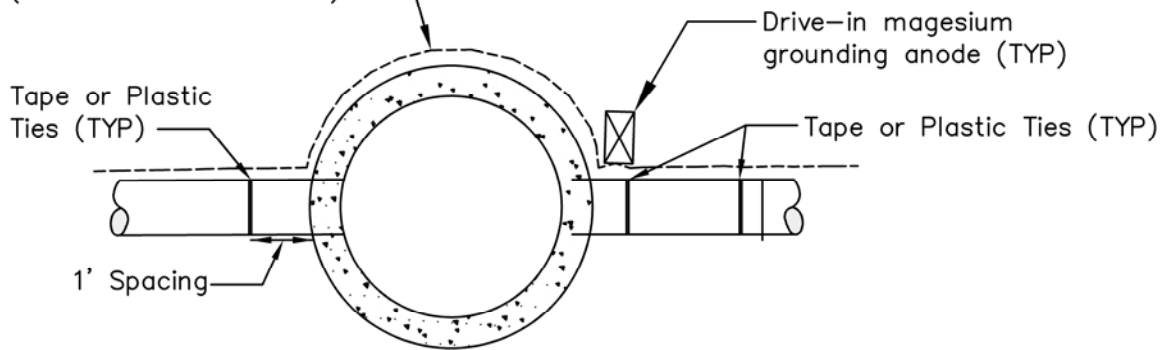
Not to Scale



SECTION VIEW

Manholes not in streets shall have tracer wire box installed next to Manhole and wires will be brought into the tracer box.

Wire continues with Magnesium grounding anode rod and connects to main line wiring. (see section view above)



PLAN VIEW



**CITY OF
CHANHASSEN**

SANITARY MANHOLE
TRACER WIRE DETAIL

REVISED: 1-20

FILE NAME: G:\ENG\SPECS\5508

ENGINEERING DEPARTMENT

PLATE NO.:

5508