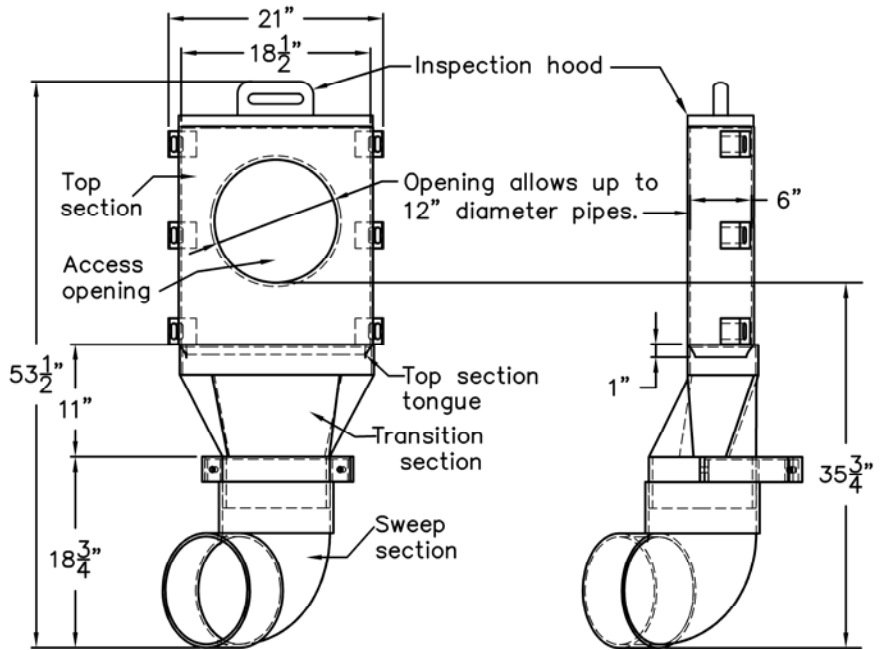
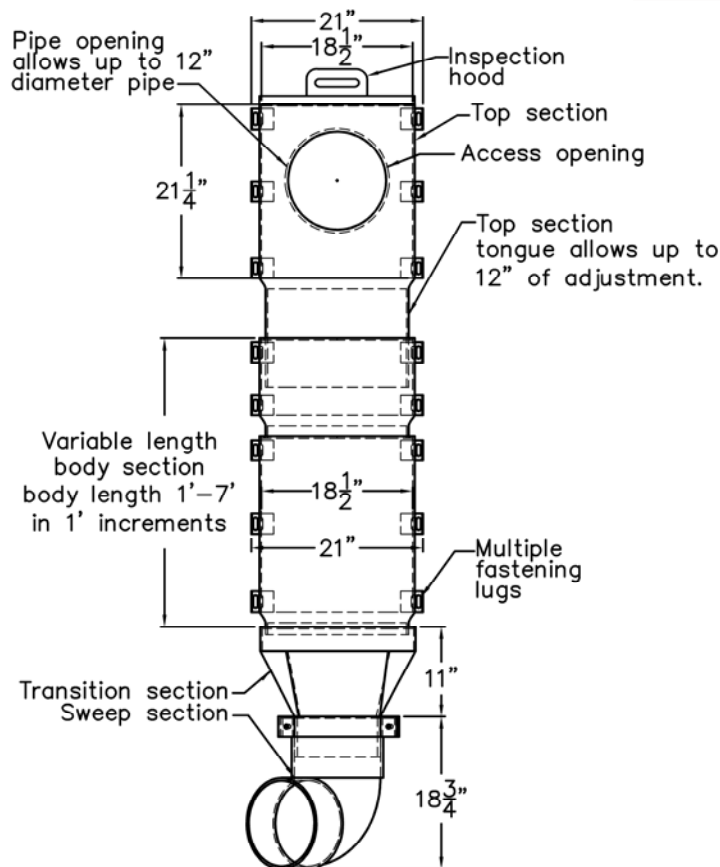


1. To achieve the shortest drop height of  $35\frac{3}{4}$ " the incoming pipe must rest on the invert of the 12" access opening.
2. Trim top section tongue to it's minimum length of 1"



Minimum drop section



Standard drop section

NOTES:

1. Kor-n-seal manhole or approved equal.
2. Pipe shall be cut flush with inside face of wall.
3. All dog houses shall be grouted on the inside and outside.
4. Precast invert shall be 1/2 Dia. of pipe and benches sloped 2" toward invert.
5. When the manhole or catch basin is constructed outside the traveled roadway a witness post and sign shall be installed next to the manhole.
6. No steps shall be installed.
7. Minimum thickness of precast base is 6" for 14' deep or less, structures and increases 1" in thickness for every 4' of depth greater than 14' deep.



**CITY OF  
CHANHASSEN**

SANITARY SEWER INSIDE  
DROP SECTIONS

REVISED: 1-20

FILE NAME: G:\ENG\SPECS\2104

ENGINEERING DEPARTMENT

PLATE NO.:

2104A