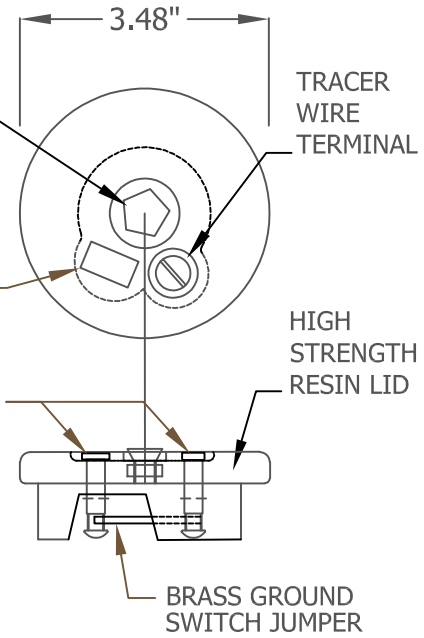


COPPERHEAD
WAX PACK
TAPED TO TUBE

PENTAGON
HEAD BOLT FOR
TIGHTENING
ONTO BOX

EXTERNAL GROUND
SWITCH

BRASS TERMINALS



TWO-TERMINAL SWITCHABLE LID

APWA UNIFORM COLOR CODE

- RED - ELECTRIC
- YELLOW - GAS
- ORANGE - COMMUNICATION
- BLUE - POTABLE WATER
- GREEN - SEWER
- PURPLE - RECLAIMED WATER

NOTES:

INSTALLATION SHALL FOLLOW MANUFACTURES INSTRUCTIONS.

CAPS SHALL BE COLOR CODED TO BE SPECIFIC TO UTILITY BEING TRACED.



**CITY OF
CHANHASSEN**

TYPICAL TWO-TERMINAL
MAGNETIZED TRACER BOX
LITE DUTY BOX LD14*2T-ADJ-SW

REVISED: 1-21

FILE NAME: G:\ENG\SPECS\5501

ENGINEERING DEPARTMENT

PLATE NO.:

5501