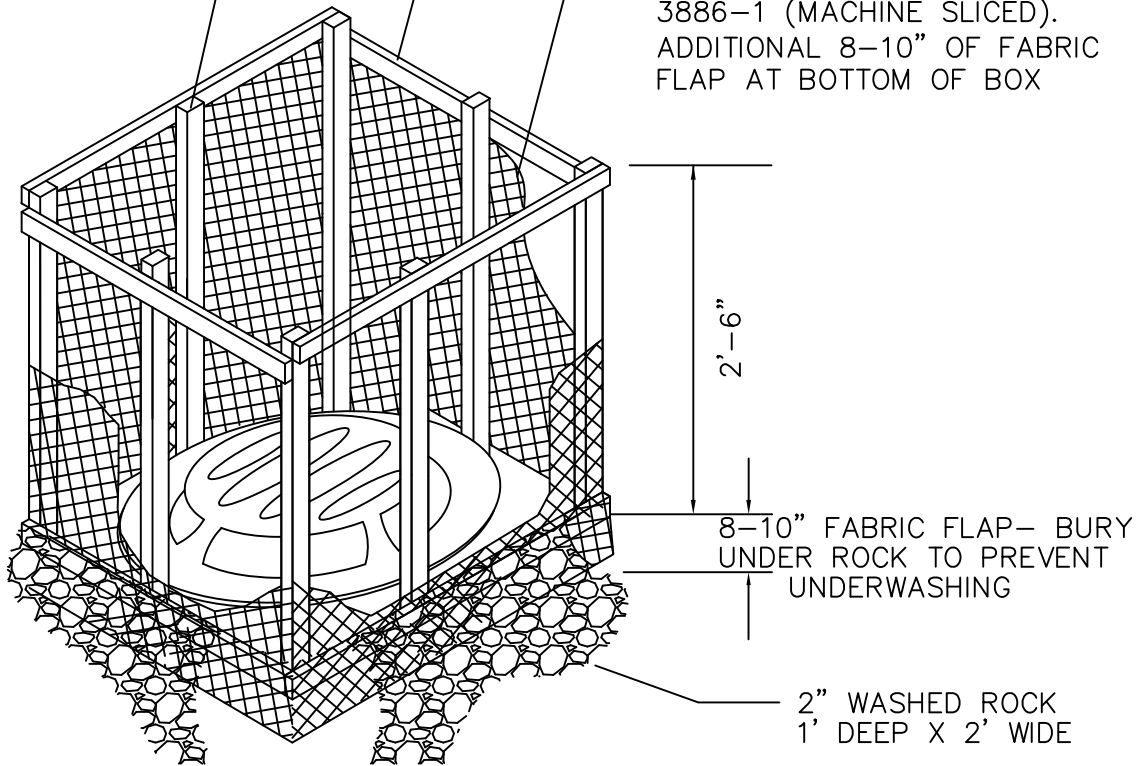


WOODEN LATH SHALL BE NAILED SECURELY TO THE POST MEMBER TO SECURE FILTER FABRIC.

2" X 4" HORIZONTAL MEMBERS CONTINUOUS AROUND TOP AND BOTTOM. FASTENED TO EACH POST USING 2-16D COMMON NAILS

2" X 4" X 3' LONG WOOD POSTS, 8 REQ'D.

MONOFILAMENT GEOTEXTILE FABRIC AS PER MNDOT TABLE 3886-1 (MACHINE SLICED). ADDITIONAL 8-10" OF FABRIC FLAP AT BOTTOM OF BOX



NOTES:

CONTRACTOR SHALL CONSTRUCT SILT BOX TO FIT AROUND THE INLET STRUCTURE WITH 6" MINIMUM CLEARANCE TO EDGES OF STRUCTURE. SILT BOX TO BE PLACED ON AN EVEN SURFACE 6" BELOW STRUCTURE OPENING. TOP OF SILT BOX TO EXTEND 18" MINIMUM ABOVE EXISTING GRADE.



**CITY OF
CHANHASSEEN**

SILT BOX SEDIMENT TRAP

REVISED: 1-10

FILE NAME: G:\ENG\SPECS\5302A

ENGINEERING DEPARTMENT

PLATE NO.:

5302G