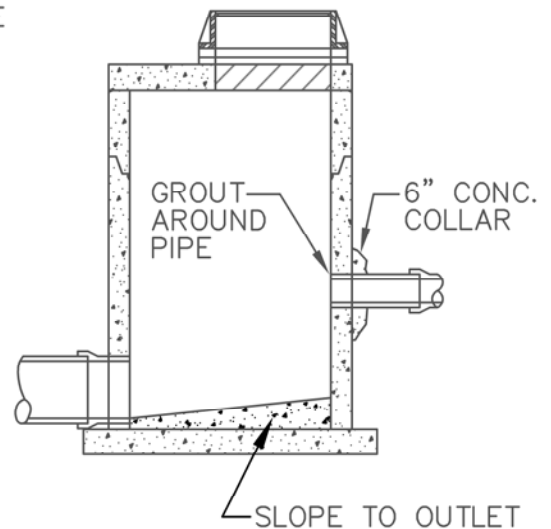
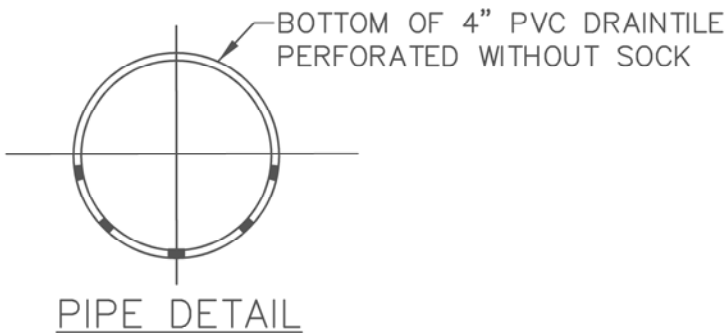


TRENCH DETAIL



NOTES:

1. CLEANOUTS REQUIRED AT 200' MAXIMUM INTERVALS & ALL ENDING POINTS.
2. SWING TIES TO BE SHOWN ON AS-BUILTS FOR ALL CLEANOUTS AND ENDING POINTS TO ALL DRAINTILES.
3. OPENINGS IN STRUCTURE FOR DRAINTILE TO BE FABRICATED OR CORE DRILLED.
4. ALL DRAINTILES TO HAVE TRACER WIRES.



**CITY OF  
CHANHASSEN**

ALTERNATE 4"  
SUB-SURFACE  
DRAINTILE

REVISED: 12-19

FILE NAME: G:\ENG\SPECS\5233

ENGINEERING DEPARTMENT

PLATE NO.:

5233