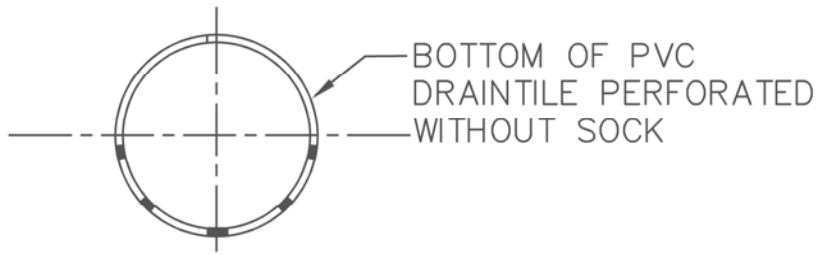


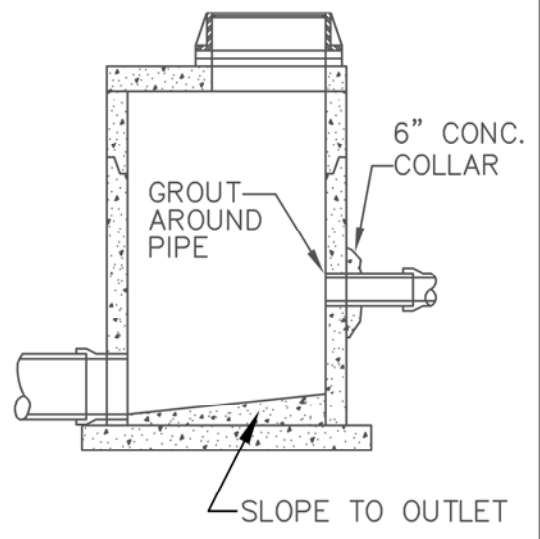
TRENCH DETAIL



PIPE DETAIL

NOTES:

1. CLEANOUTS REQUIRED AT 200' MAXIMUM INTERVALS & ALL ENDING POINTS.
2. SWING TIES TO BE SHOWN ON AS-BUILTS FOR ALL CLEANOUTS AND ENDING POINTS TO ALL DRAINTILES.
3. OPENINGS IN STRUCTURE FOR DRAINTILE TO BE FABRICATED OR CORE DRILLED.
4. THIS DETAIL TO BE USED WHEN 2' OR MORE OF EXISTING SOIL SUB CUT IS NECESSARY.
5. ALL DRAINTILE TO HAVE TRACER WIRES.



4" SUB-SURFACE DRAINTILE

REVISED: 1-20

FILE NAME:G:\ENG\SPECS\5232

ENGINEERING DEPARTMENT

PLATE NO.: 5232