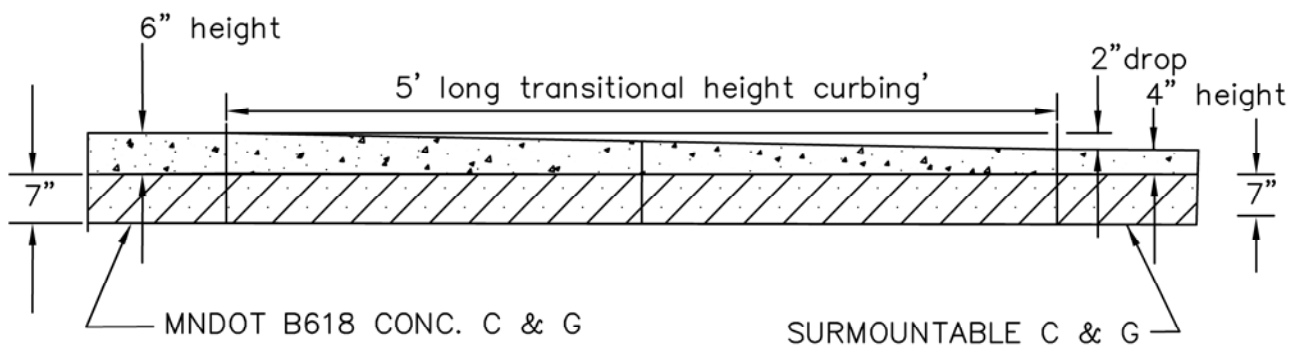


TYPICAL RESIDENTIAL RADIUS - 20'  
 TYPICAL COLLECTOR RADIUS - 30'



SECTION A-A



**CITY OF  
 CHANHASSEN**

TYPICAL CURB  
 RADIUS

REVISED: 3-16

FILE NAME: G:\ENG\SPECS\5204

ENGINEERING DEPARTMENT

PLATE NO.:

5204