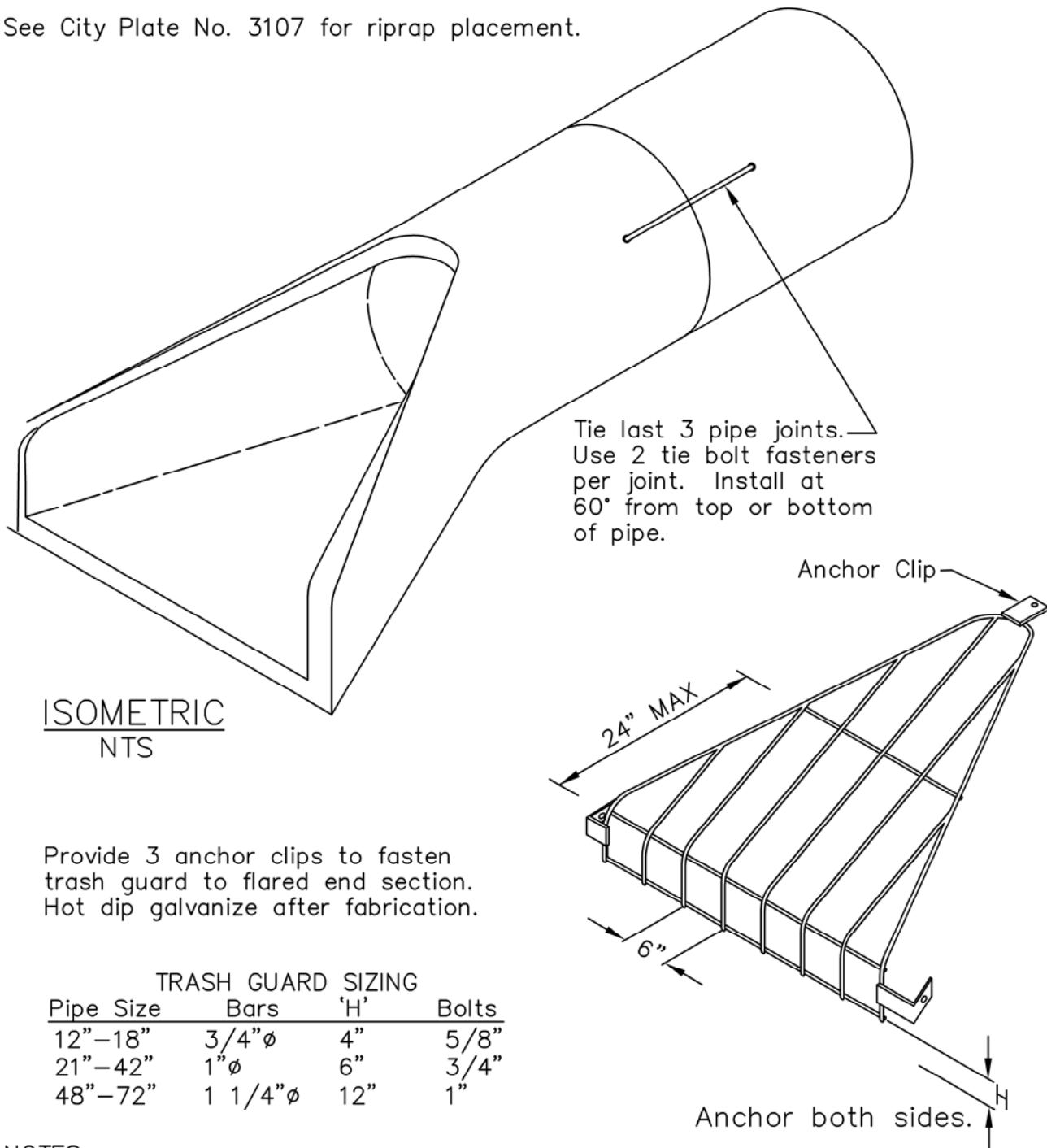


See City Plate No. 3107 for riprap placement.



ISOMETRIC
NTS

Provide 3 anchor clips to fasten trash guard to flared end section. Hot dip galvanize after fabrication.

TRASH GUARD SIZING			
Pipe Size	Bars	'H'	Bolts
12"–18"	3/4"∅	4"	5/8"
21"–42"	1"∅	6"	3/4"
48"–72"	1 1/4"∅	12"	1"

NOTES:

1. All reinforced concrete aprons shall be furnished & installed without trash guards, unless otherwise specified.
2. All new reinforced concrete aprons on new pipe shall have the joints tied back for the first 3 joints from the apron.
3. All new reinforced concrete aprons on existing pipe shall be tied to the first pipe adjacent to the apron.
4. Trash guards shall only be placed on inlets when specified.



**CITY OF
CHANHASSEN**

FLARED END SECTION

REVISED: 10–16

FILE NAME: G:\ENG\SPECS\3108

ENGINEERING DEPARTMENT

PLATE NO.:

3108