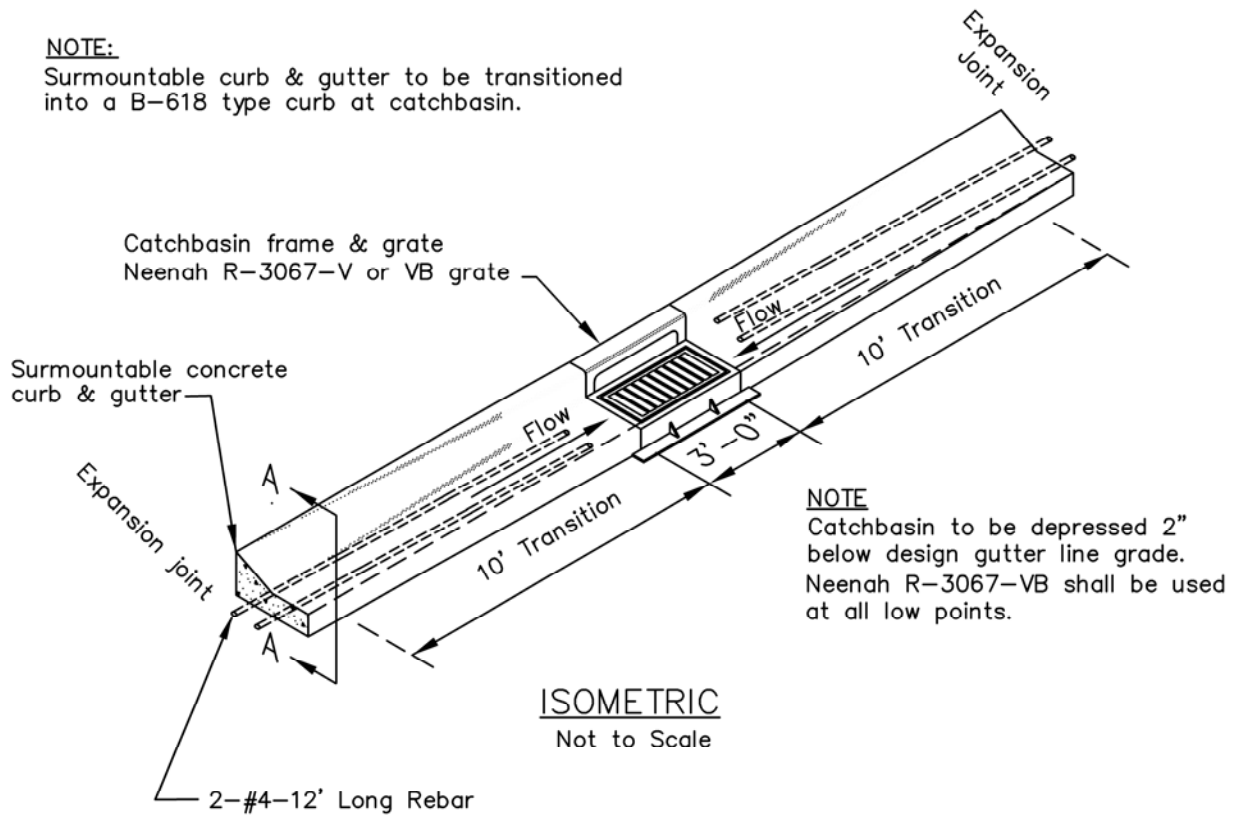


NOTE:

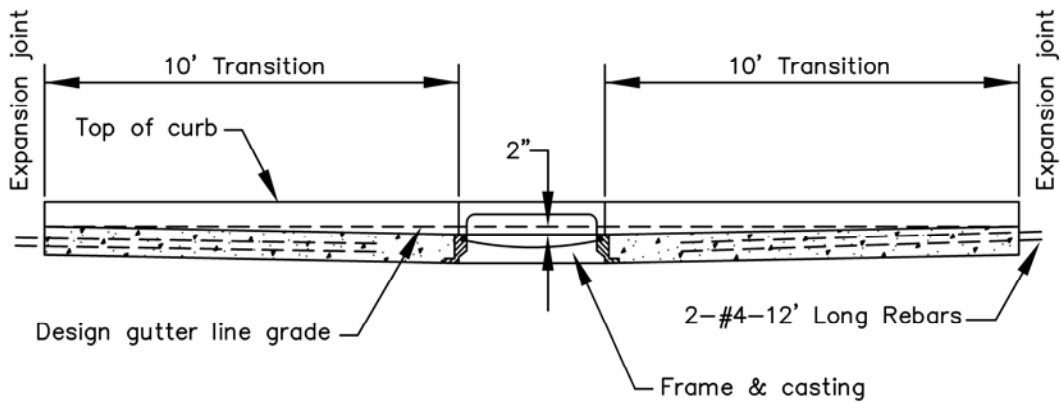
Surmountable curb & gutter to be transitioned into a B-618 type curb at catchbasin.



NOTE

Catchbasin to be depressed 2" below design gutter line grade. Neenah R-3067-VB shall be used at all low points.

ISOMETRIC
Not to Scale



SECTION A-A
Not to Scale



**CITY OF
CHANHASSEN**

**CURB CONSTRUCTION
AT CATCH BASIN**

REVISED: 12-19

FILE NAME: G:\ENG\SECS\3106

ENGINEERING DEPARTMENT

PLATE NO.:

3106