

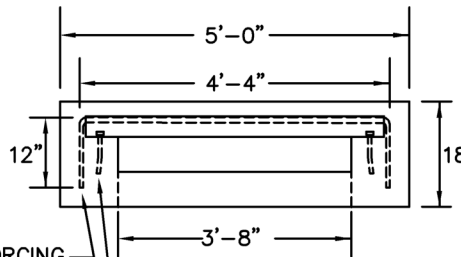
SECTION A-A

2-NO. 5 BENT REINFORCING BARS 6'-4" LONG
2-1/2"x6" BENT BOLTS

ANGLE IRON - 2"x3" x 4'-0" x 5/16"
PLACE 3" LEG VERTICAL & PAINT WITH ONE COAT RED LEAD PRIMER

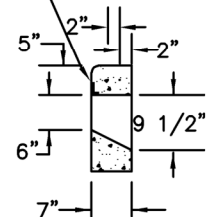


PLAN

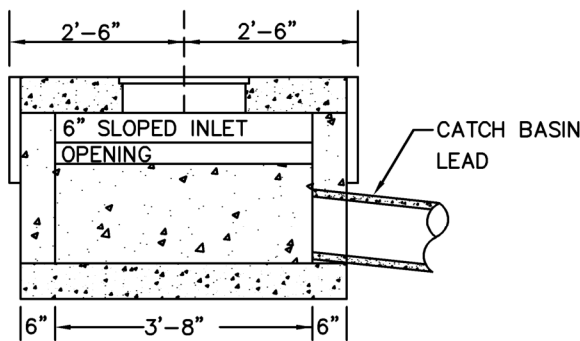


ELEV.

CURB OPENING



SECT.



SECTION B-B

TAPER CURB TO 11" HIGH & 7" WIDE AT BASIN

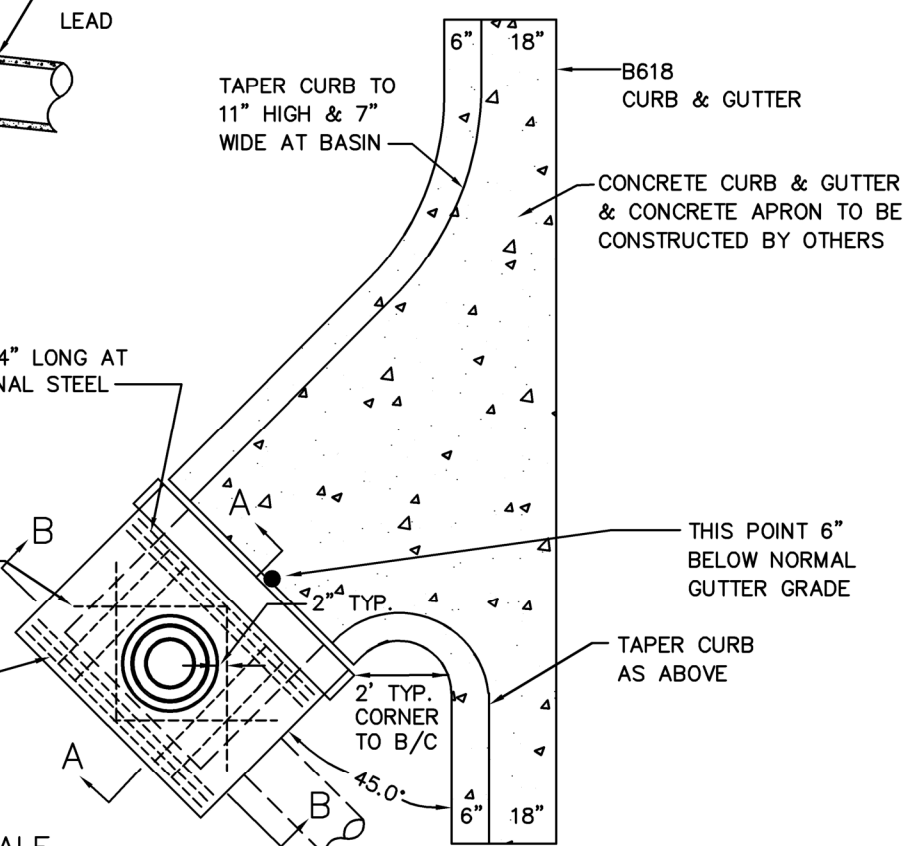
B618 CURB & GUTTER

CONCRETE CURB & GUTTER & CONCRETE APRON TO BE CONSTRUCTED BY OTHERS

LONG STEEL= 6 # 4 BARS @ 4'-4" LONG AT 2" O.C. TO BE ON TOP OF DIAGONAL STEEL

DIAGONAL STEEL= 4 # 4 BARS x 3'-3" LONG TO BE ON TOP OF SHORT STEEL

SHORT STEEL= 4 # 4 BARS @ 3'-0" LONG TO BE 1 1/2" CLEAR FROM BOTTOM OF SLAB



NO SCALE

PLAN



CITY OF CHANHASSEN

HIGH CAPACITY CATCH BASIN B618 CURB

REVISED: 1-21

FILE NAME: G:\ENG\SPECS\3105

ENGINEERING DEPARTMENT

PLATE NO.:

3105