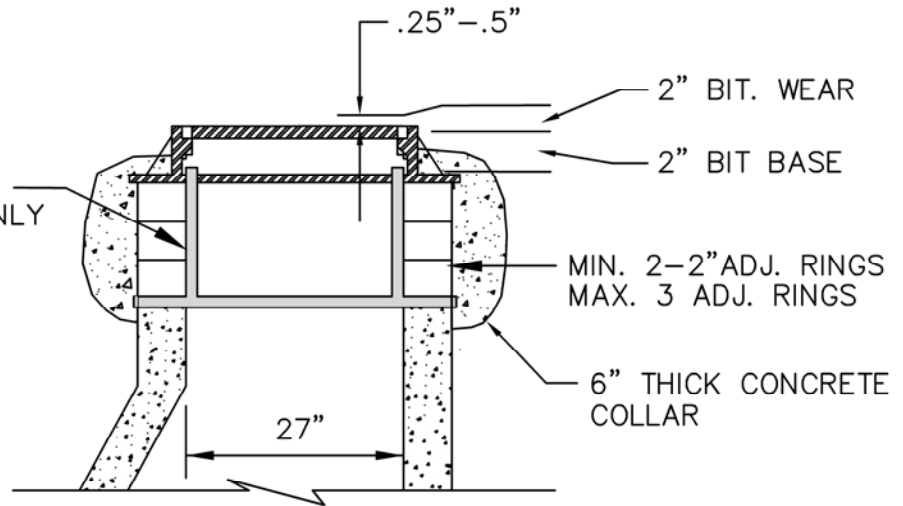


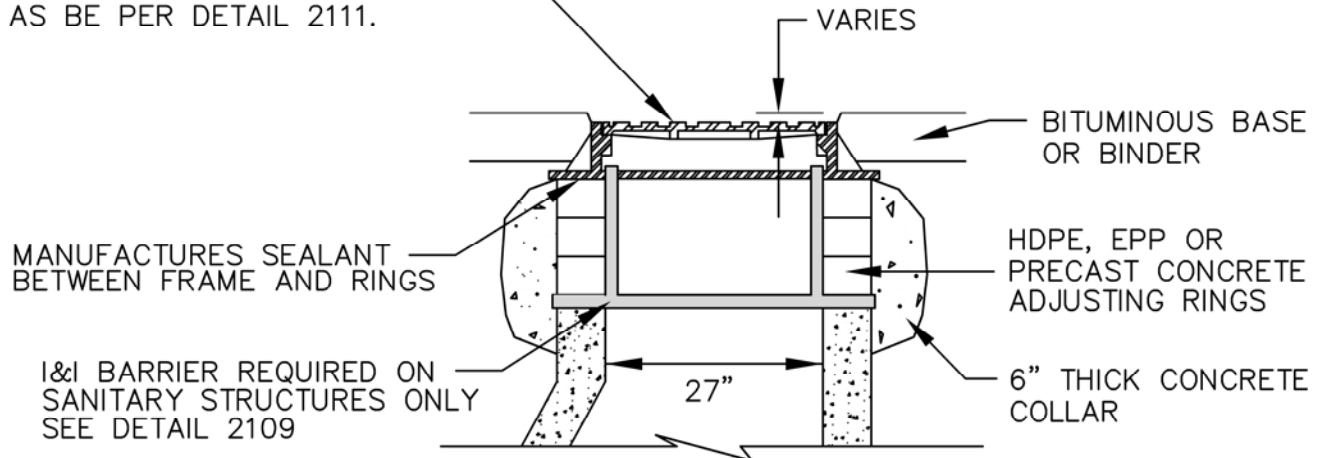
I&I BARRIER REQUIRED ON
SANITARY STRUCTURES ONLY
SEE DETAIL 2109



NOTE: 2-PIECE COVER RISER RINGS ARE NOT ALLOWED.

BIT. WEAR COURSE ADJ. DETAIL

MANHOLE CASTING & LID SHALL
AS BE PER DETAIL 2111.



BIT. BASE OR BINDER COURSE ADJ. DETAIL

NOTES:

1. PRECAST CONCRETE ADJUSTING RINGS SHALL BE BEDDED WITH 1/4" TO 1/2" MORTAR.
2. HDPE AND EPP ADJUSTING RINGS SHALL BE INSTALLED WITH MANUFACTURES SEALANT OR APPROVED EQUAL.
3. ALL ADJUSTS SHALL INCLUDE NEW RINGS FROM CASTING TO CONE.
4. WOOD SHIMS NOT PERMITTED TO BE USED IN ADJUSTING RINGS.
5. WEAR COURSE SHALL USE STEEL ADJUSTING RING INSERTS PER MANUFACTURES SPECS. WITH ENGINEERS APPROVAL.



**CITY OF
CHANHASSEN**

MANHOLE CASTING AND
ADJUSTING DETAIL

REVISED: 1-20

FILE NAME: G:\ENG\SPECS\2110

ENGINEERING DEPARTMENT

PLATE NO.:

2110