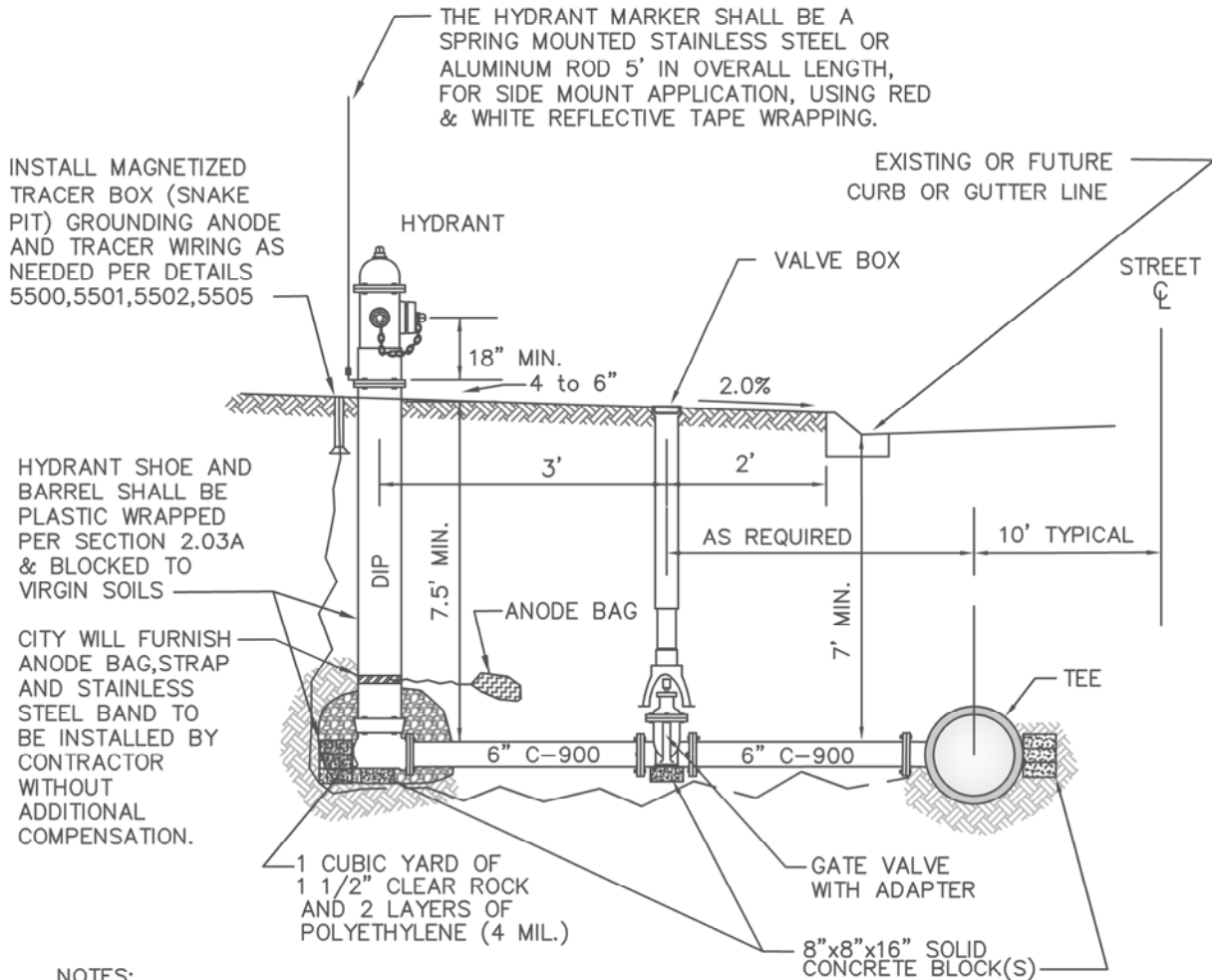


HYDRANTS SHALL BE CLOW MEDALLION (SHOWN) OR  
MUELLER SUPER CENTURION

ALL HYDRANTS MUST BE PRE-APPROVED BY THE CITY



NOTES:

1. ALL HYDRANTS SHALL HAVE WEEP HOLES.
2. HYDRANT BURY DEPTH SHALL BE AS PER MANUFACTURES RECOMMENDATION WITH A MINIMUM OF 7.5' COVER OVER HYDRANT LEAD.
3. ALL PAINTED SURFACES SHALL BE SUBJECT TO TWO YEAR WARRANTY PERIOD AS NOTED IN SECTION 2.09 OF THE WATERMAIN SPECIFICATIONS.
4. HYDRANT INSTALLATION SHALL INCLUDE A HYDRANT MARKER.
5. ALL JOINTS SHALL BE RESTRAINED VIA MEGA-LUGS MECHANICAL JOINT RESTRAINT.
6. ALL HYDRANT TO BE PLUMB TO VERTICAL AXIS, MAXIMUM ALLOWABLE TO BE 1/2" PER FOOT OF HYDRANT.
7. HYDRANT TO BE SECURELY COVERED WITH PLASTIC WRAP OR BAG TO INDICATE THAT IT IS OUT OF SERVICE.
8. HYDRANT SHOE AND BARREL SHALL BE PLASTIC WRAPPED PER SPECIFICATION 2.03A



**CITY OF  
CHANHASSEN**

TYPICAL  
HYDRANT  
INSTALLATION

REVISED: 9-19

FILE NAME: G:\ENG\SPECS\1004

ENGINEERING DEPARTMENT

PLATE NO.:

1004